



**ARGANI  
VERRICELLI**

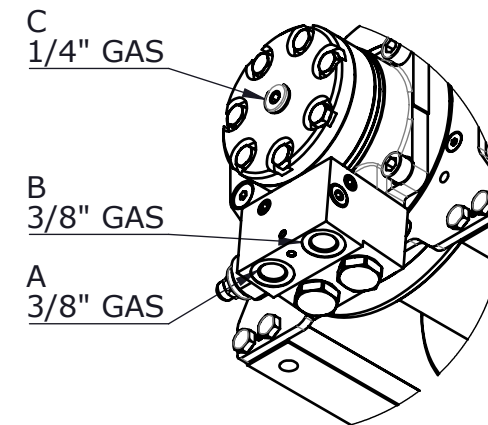
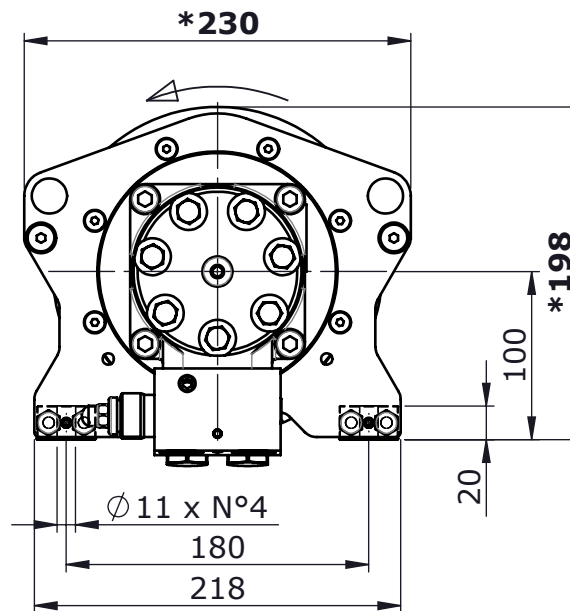
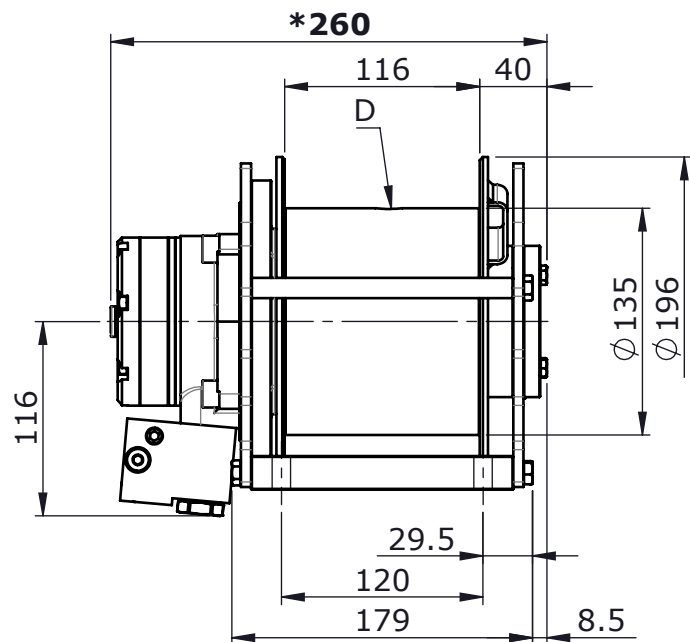
41057-SPILAMBERTO  
MODENA-ITALY  
Via S.Vito 221  
www.tmawinches.com  
Tel. +39(059) 78.17.11  
Fax +39(059) 78.16.06

## TECHNICAL DATA SHEET

**MODEL: WINCH TN-06**

**CODE: 9014802**

Doc. N° **M-27**  
Pag. 1 di 1  
Rev.N° 0  
Data Rev. 01/07/14



- A HOISTING
- B LOWERING
- C DRAIN LINE
- D OIL PLUG

**\*OVERALL DIMENSIONS**

**WEIGHT (Kg) 26**

Model: TN-06 Code: 9014802 Class: M5 L2.T5 (FEM 1.001/1998) with drum rotation 25 rpm.

MOTOR DATA		WORKING FLOW RATE (L/min)	WORKING PRESSURE (MPa)	FLOW RATE (L/min)	MAXIMUM ALLOWED BACK PRESSURE IN HYDRAULIC RETURN LINE (MPa)	BRAKE TYPE	Braking Static Torque (daNm)	GEAR DATA	
CYL (cc)	50	30	17.5	Min 10		0.5	Multi-disc negative brake	20	REDUCTION - RATIO
TYPE	ORBIT		STARTING PRESSURE		Max 30				INTERNAL LUBRICATION - OIL (Kg)
MODEL	RMS		22.0						

ROPE LAYER	N°	1	2	3	4				
LINE PULL (With 17.5 MPa)	(daN)	600	550	510	470				
LINE SPEED (With 30 L/min)	(m/min)	53	57	62	66				
<b>ROPE CAPACITY</b>									
ROPE Ø	6 mm	(m)							
ROPE Ø			8	16	26	36			
ROPE Ø									

**IMPORTANT**

**THIS WINCH IS NOT INTENDED FOR DEVICES USED FOR PERSONNEL LIFTING**

Use ropes with a correct strenght.  
A minimum of 3 wraps of rope must be left on drum for security.  
The rated line pull are for the winch only.  
We reserve the right to make changes without notice.

<b>DATE</b>
12/03/2019
<b>DATI ARGANO</b>
DA 18063.1